



# Autobahn

Just like the German highway, the Autobahn collection is all about flowing lines, open spaces and endless possibilities. A modular seating system allows for ultimate versatility and ease of use. A refined and pared-back form allows Autobahn to effortlessly change gears and adapt to both formal and informal environments.







# Autobahn

## Information

### Design

Alexander Lotersztain, 2012

### Environment

Indoor

### Warranty

5 year structural

### Certifications

GECA certified

### Materials

Dunlop Enduro® foam with MDF substrate, upholstered in Customer's Own Material (COM) and/or Leather (COL). Powder coated mild steel legs. Table tops constructed of veneered MDF or laminated structural board with matching ABS edge.

### Notes

- Seating units cannot be used individually.
- Each seating unit is supplied with a linking plate, used to connect units together.
- Legs supplied with adjustable feet.

## Finishes

### Upholstery



Fabric  
COM



Leather  
COL

### Legs



White  
Powder Coat



Black  
Powder Coat



Custom  
Powder Coat

### Table Top



American Oak  
Veneer



Black Stained  
Veneer



White  
Laminate

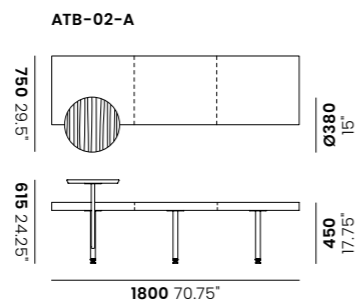
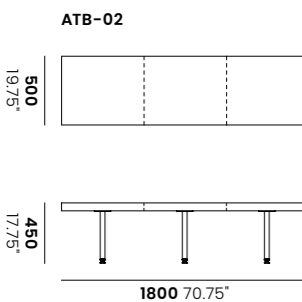
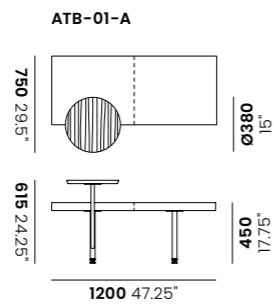
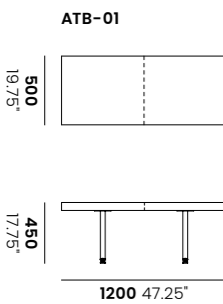
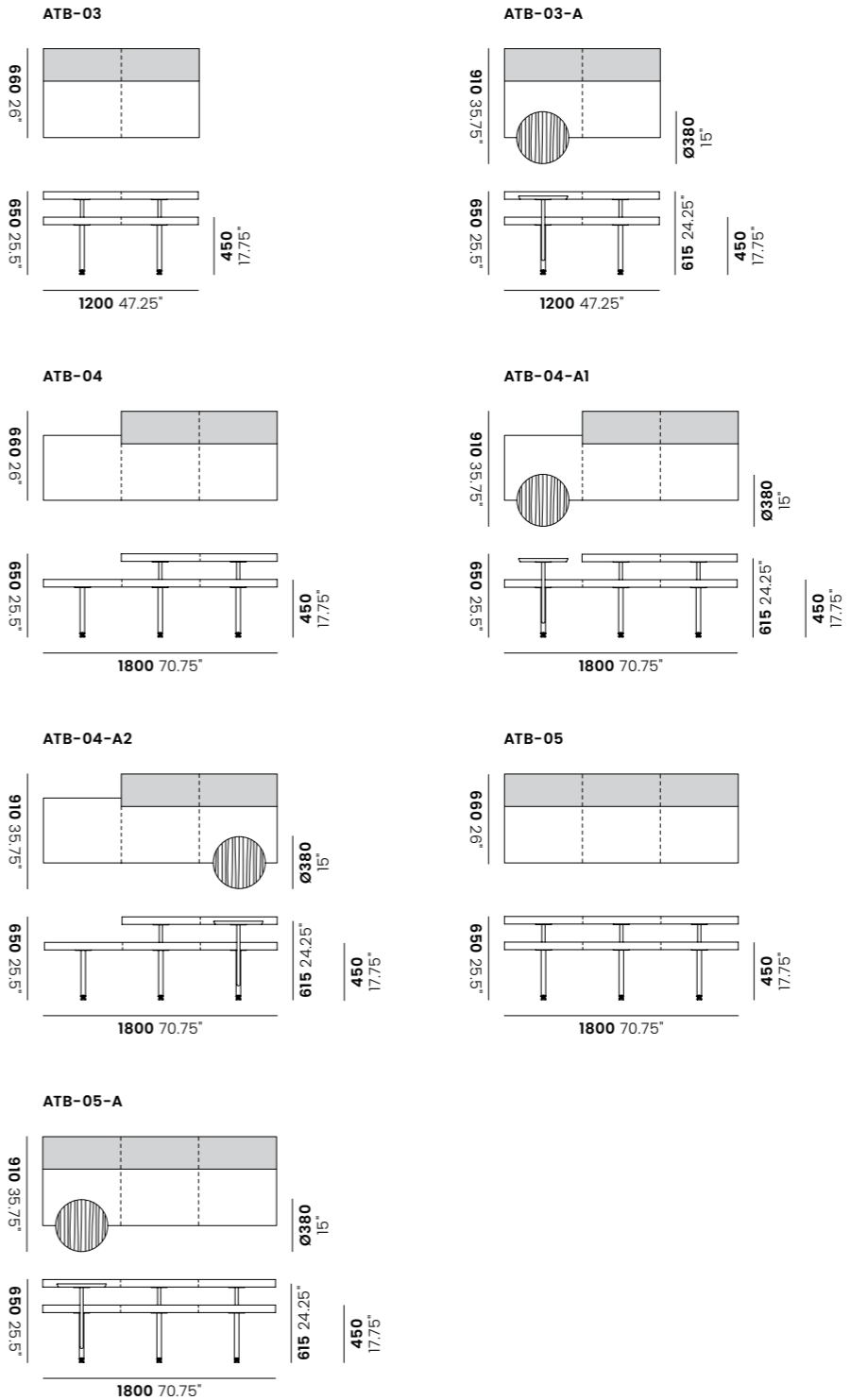


Black  
Laminate

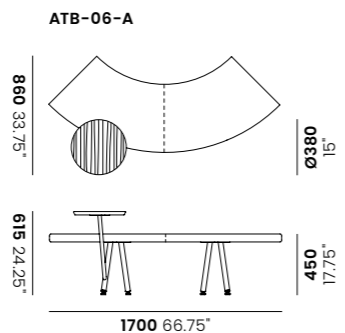
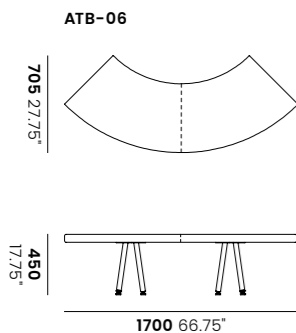
## Dimensions

### Bench

### Seat

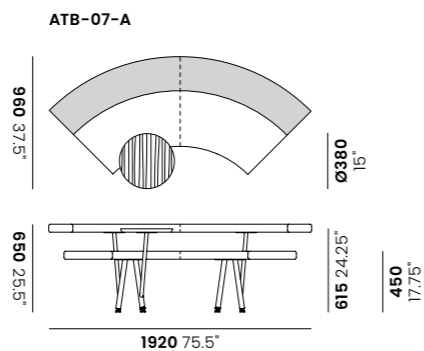
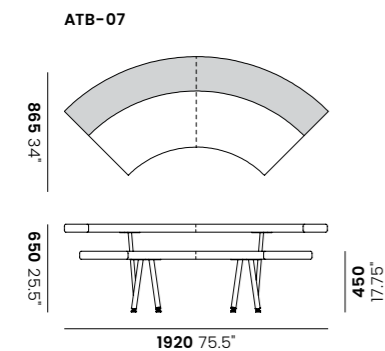


90° Curved Bench

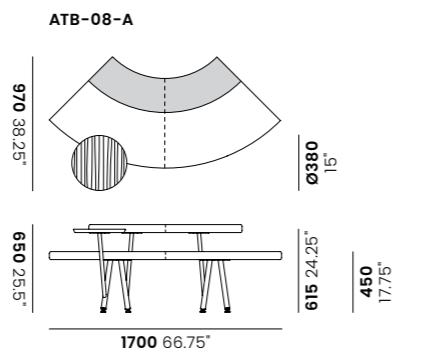
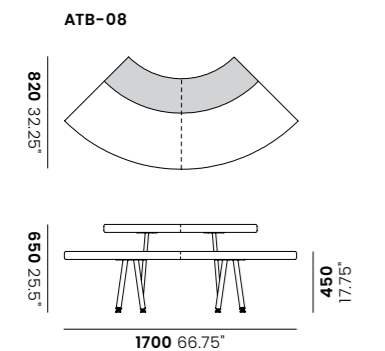


Inner radius: **700** 27.5"  
Outer radius: **1200** 47.25"

90° Curved Seat

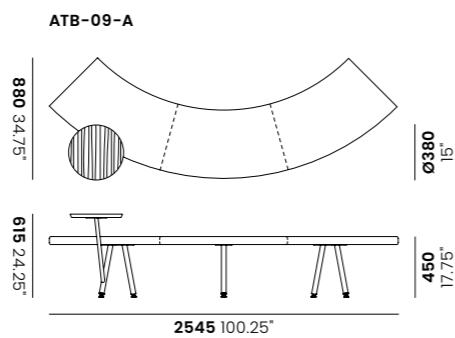
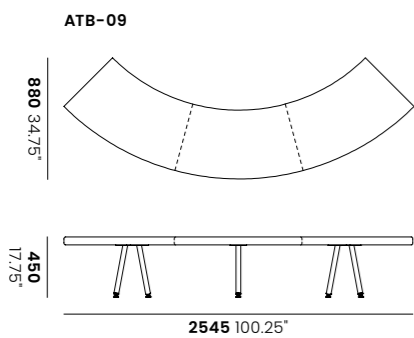


Inner radius: **700** 27.5"  
Outer radius: **1360** 53.5"



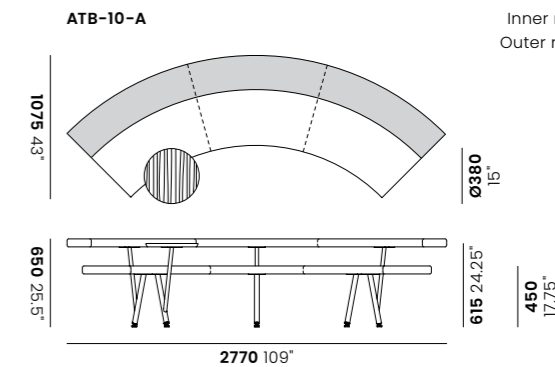
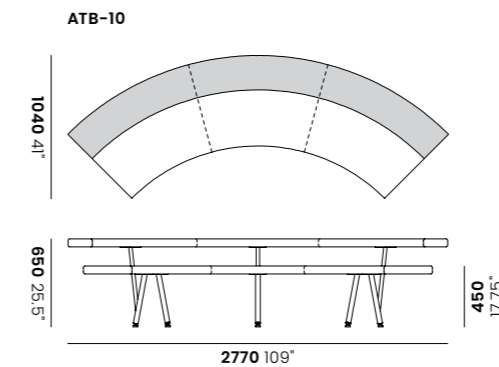
Inner radius: **540** 21.25"  
Outer radius: **1200** 47.25"

90° Large Curved Bench

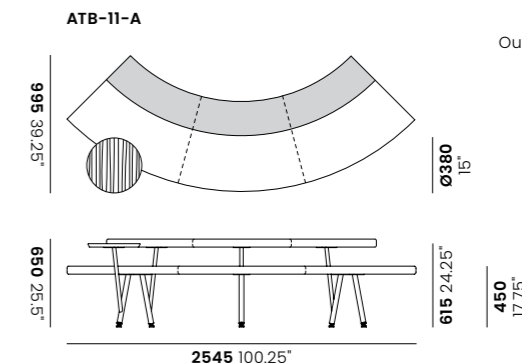
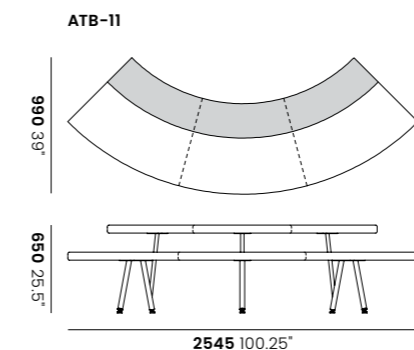


Inner radius: **1300** 51.25"  
Outer radius: **1800** 70.75"

90° Large Curved Seat

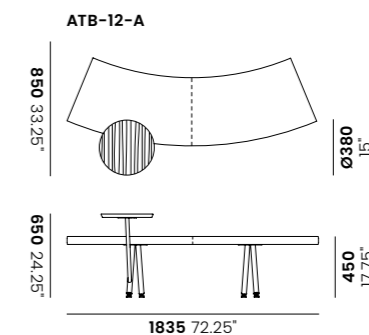
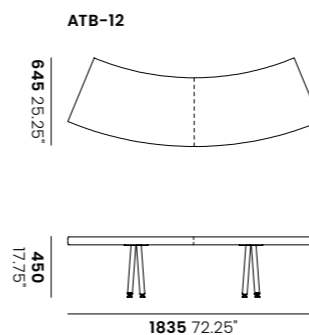


Inner radius: **1300** 51.25"  
Outer radius: **1960** 77.25"



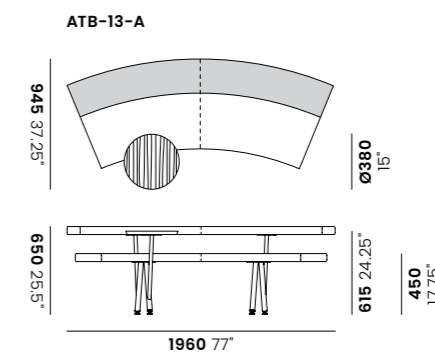
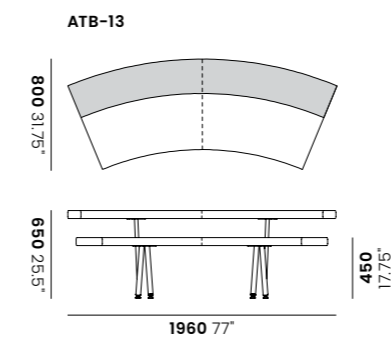
Inner radius: **1140** 45"  
Outer radius: **1800** 70.75"

45° Curved Bench



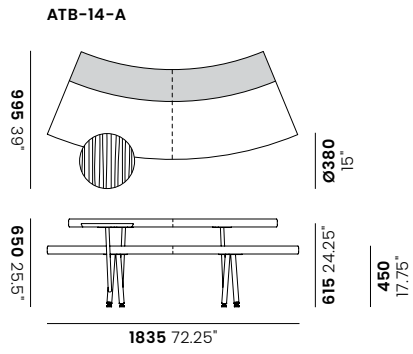
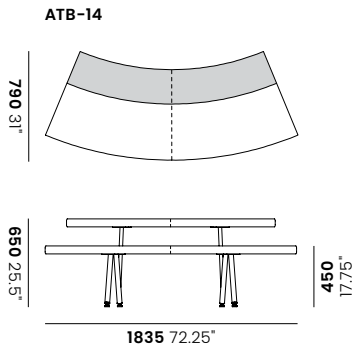
Inner radius: **1900** 74.75"  
Outer radius: **2400** 94.5"

45° Curved Seat



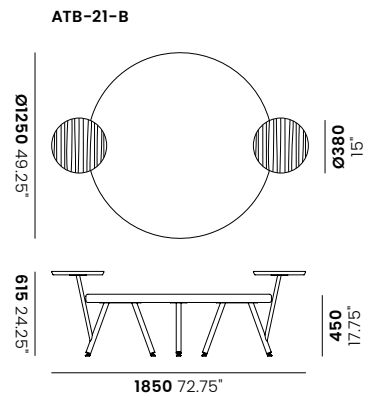
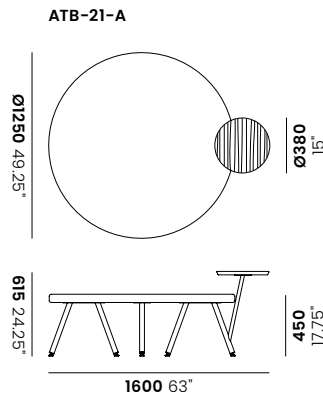
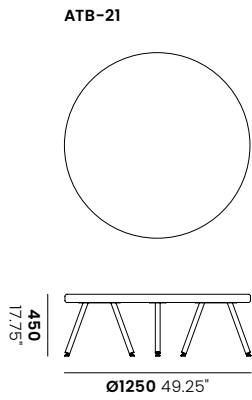
Inner radius: **1900** 74.75"  
Outer radius: **2560** 100.75"

45° Curved Seat (Continued)

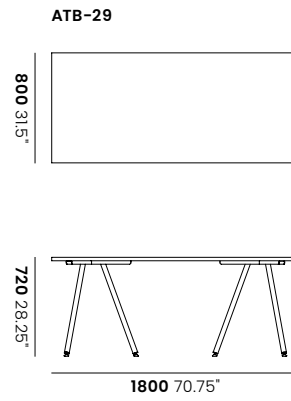
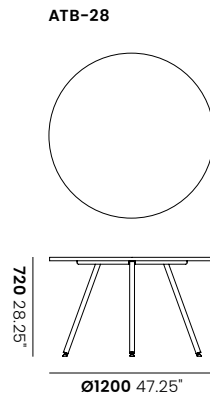
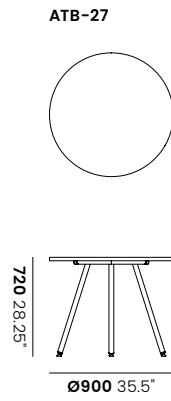
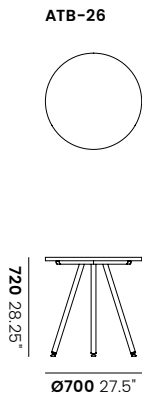


Inner radius: 1740 68.5"  
Outer radius: 2400 94.5"

Ottoman



Table



Side Table

