

A close-up photograph of a tan-colored fabric hat, possibly a fedora or similar style, with a dark blue textured background. The hat's fabric has a fine, woven texture and is accented with several thin, dark, curved lines that follow the shape of the hat's crown. The lighting is soft, highlighting the texture of both the hat and the background.

Crescent

The Bauhaus movement gave new meaning to simple colours and shapes and the relationships between them. The Crescent collection celebrates this venerated German art school by embodying its key value that form follows function. The option of modular configurations or standalone units makes the collection adaptable and versatile. Crescent brings a modern and elevated sensibility to commercial and office environments or is a statement piece for the home.



Crescent

Information

Design
Alexander Lotersztain, 2015

Environment
Indoor

Warranty
5 year structural

Materials
Dunlop Enduro® foam with MDF and steel substrate, upholstered in Customer's Own Material (COM) and/or Leather (COL). Powder coated mild steel frame. Table tops constructed of veneered MDF or laminated structural board with matching ABS edge.

Notes
1. Where applicable, each seating unit supplied with linking plate, used to connect units together.

Finishes

Upholstery



Fabric
COM



Leather
COL

Frame



White
Powder Coat



Black
Powder Coat



Custom
Powder Coat

Table Top



American Oak
Veneer



Black Stained
Veneer



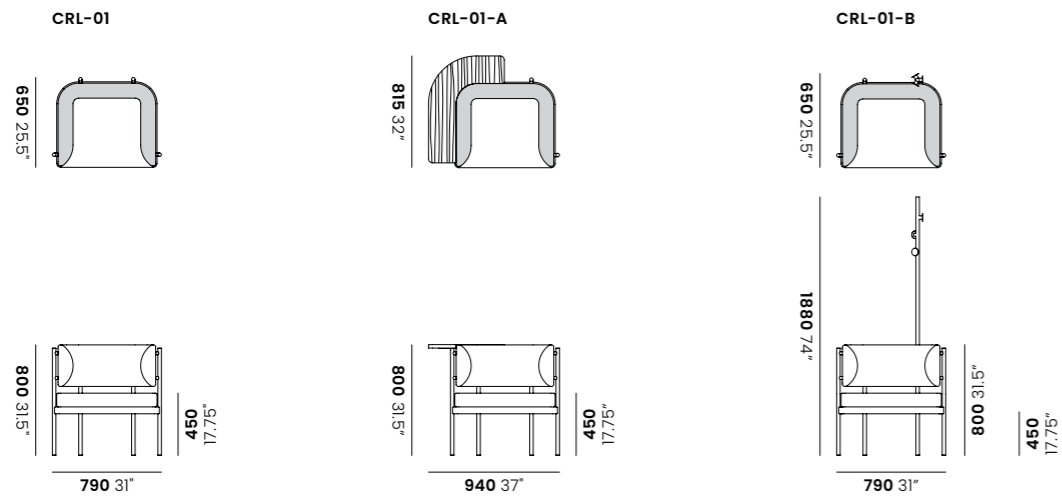
White
Laminate



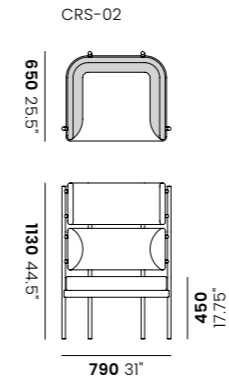
Black
Laminate

Dimensions

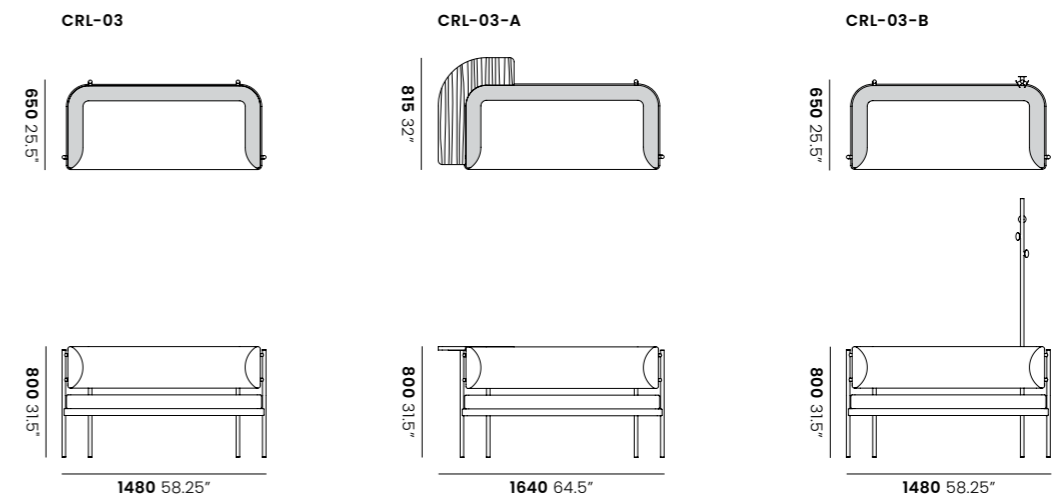
Armchair



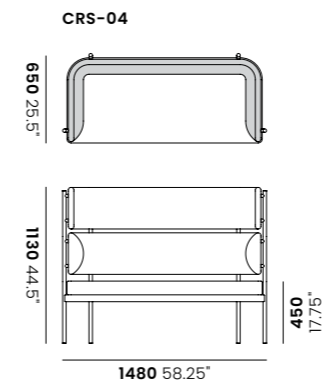
High-back Armchair



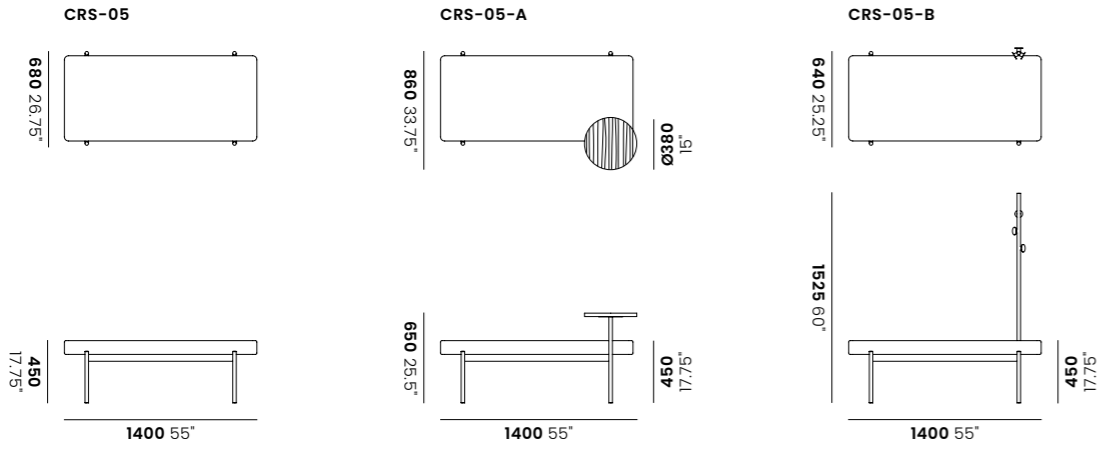
Sofa



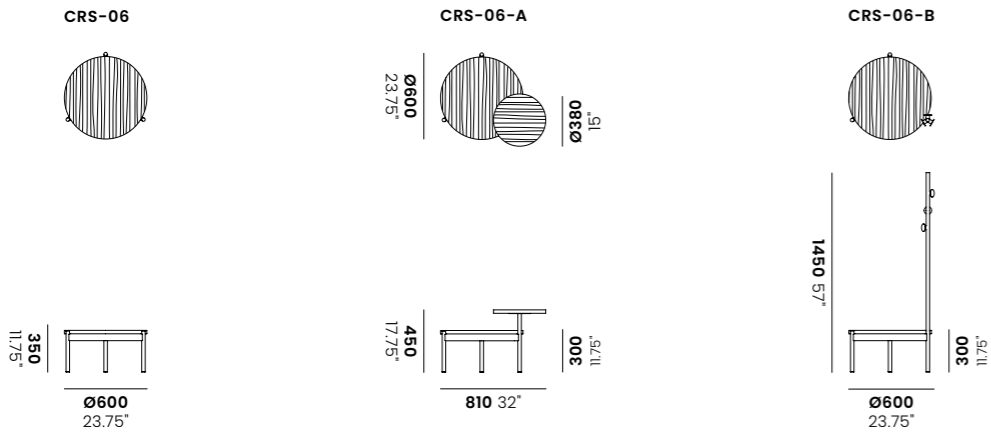
High-back Sofa



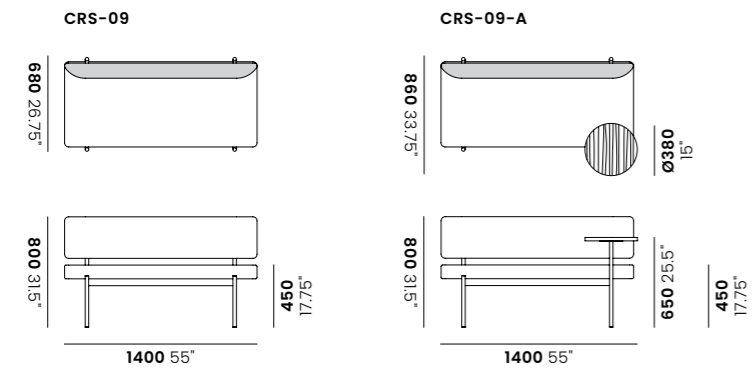
Bench



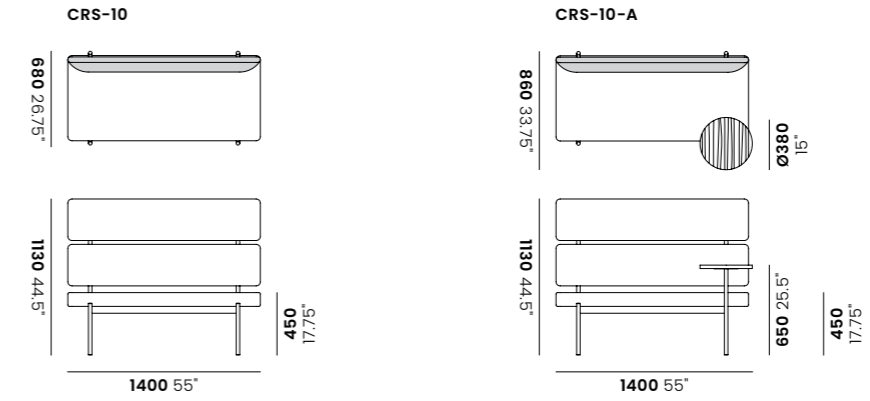
Table



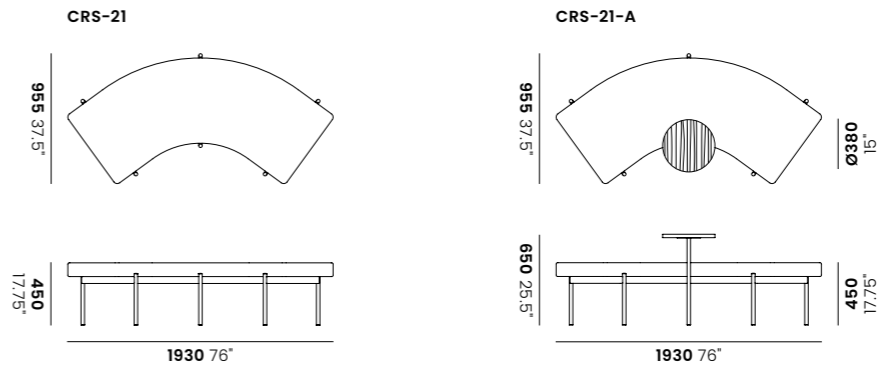
Seat



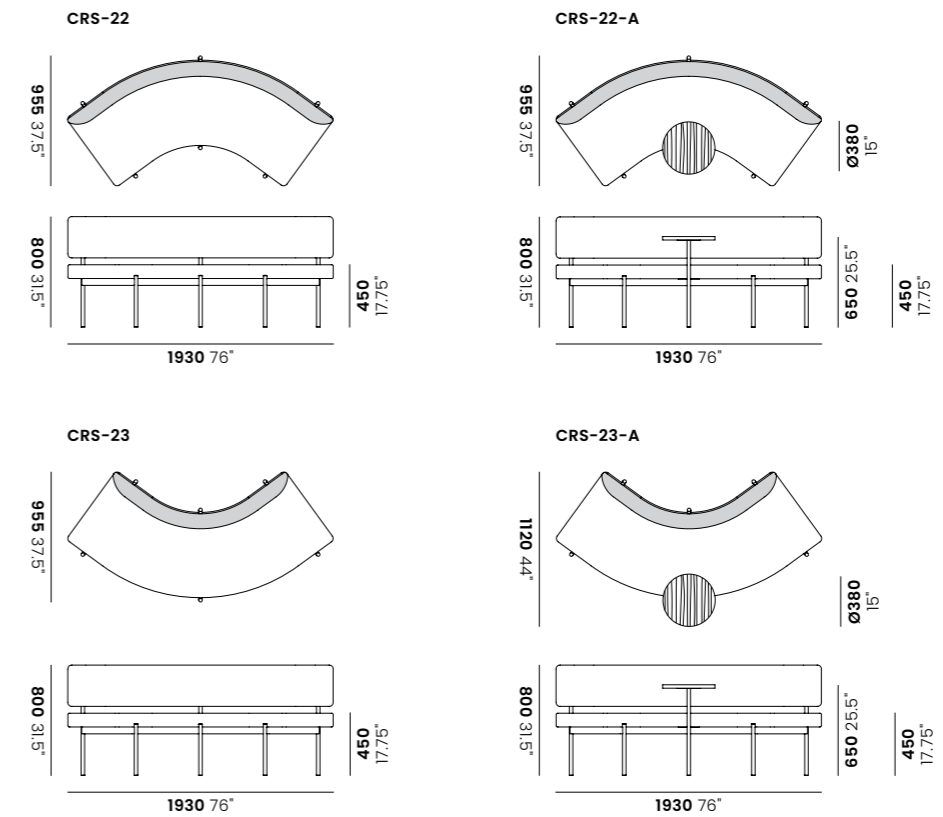
High-back Seat



72° Curved Bench

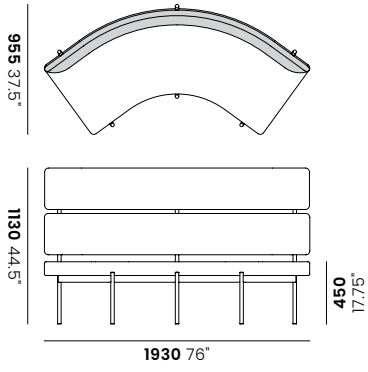


72° Curved Seat

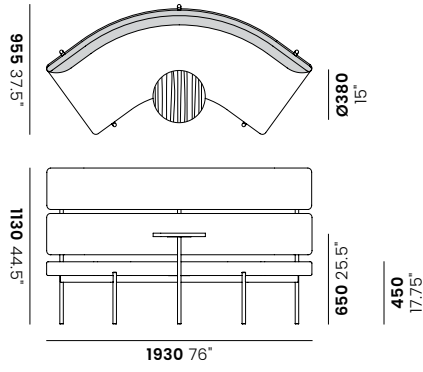


72° High-back Curved Seat

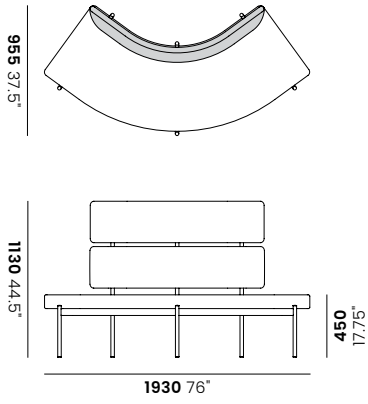
CRS-24



CRS-24-A



CRS-25



CRS-25-A

