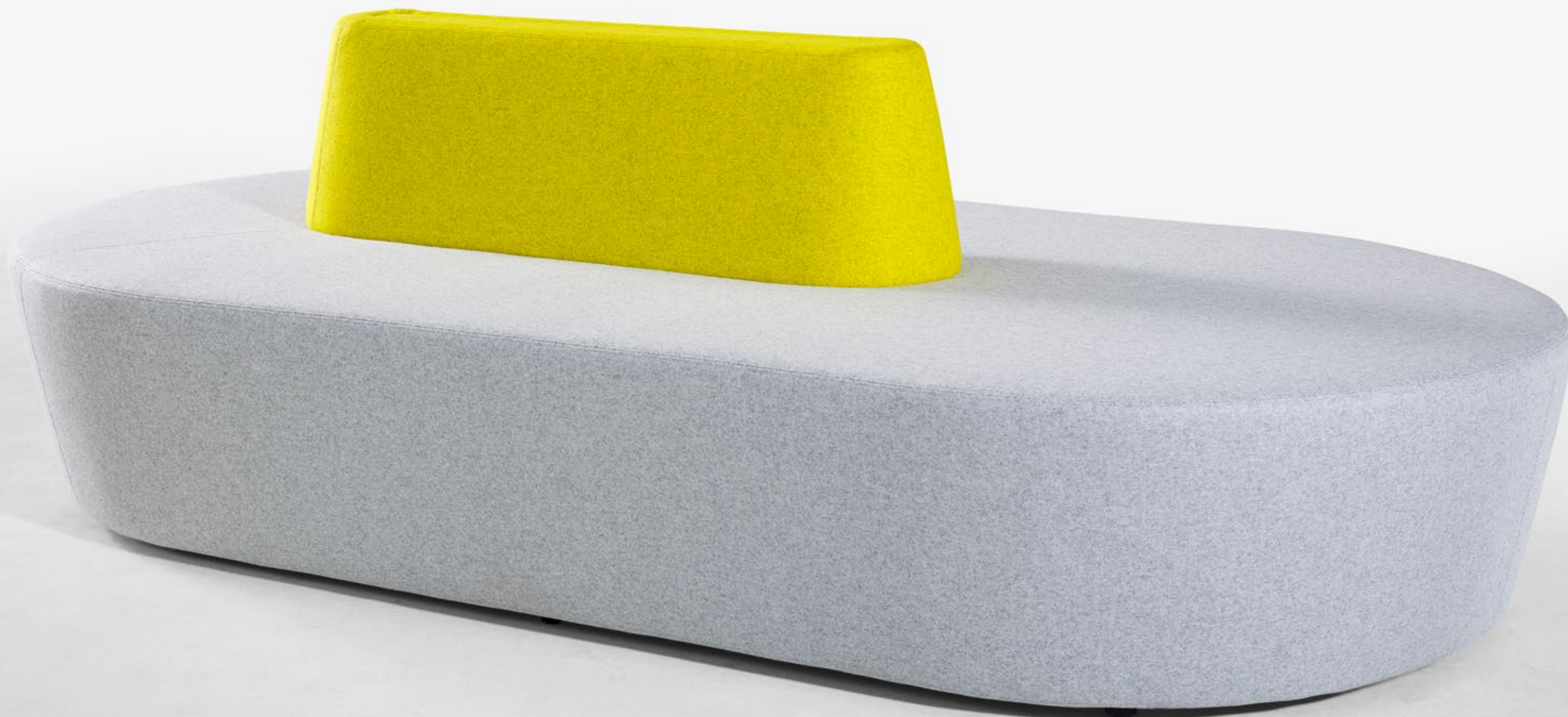
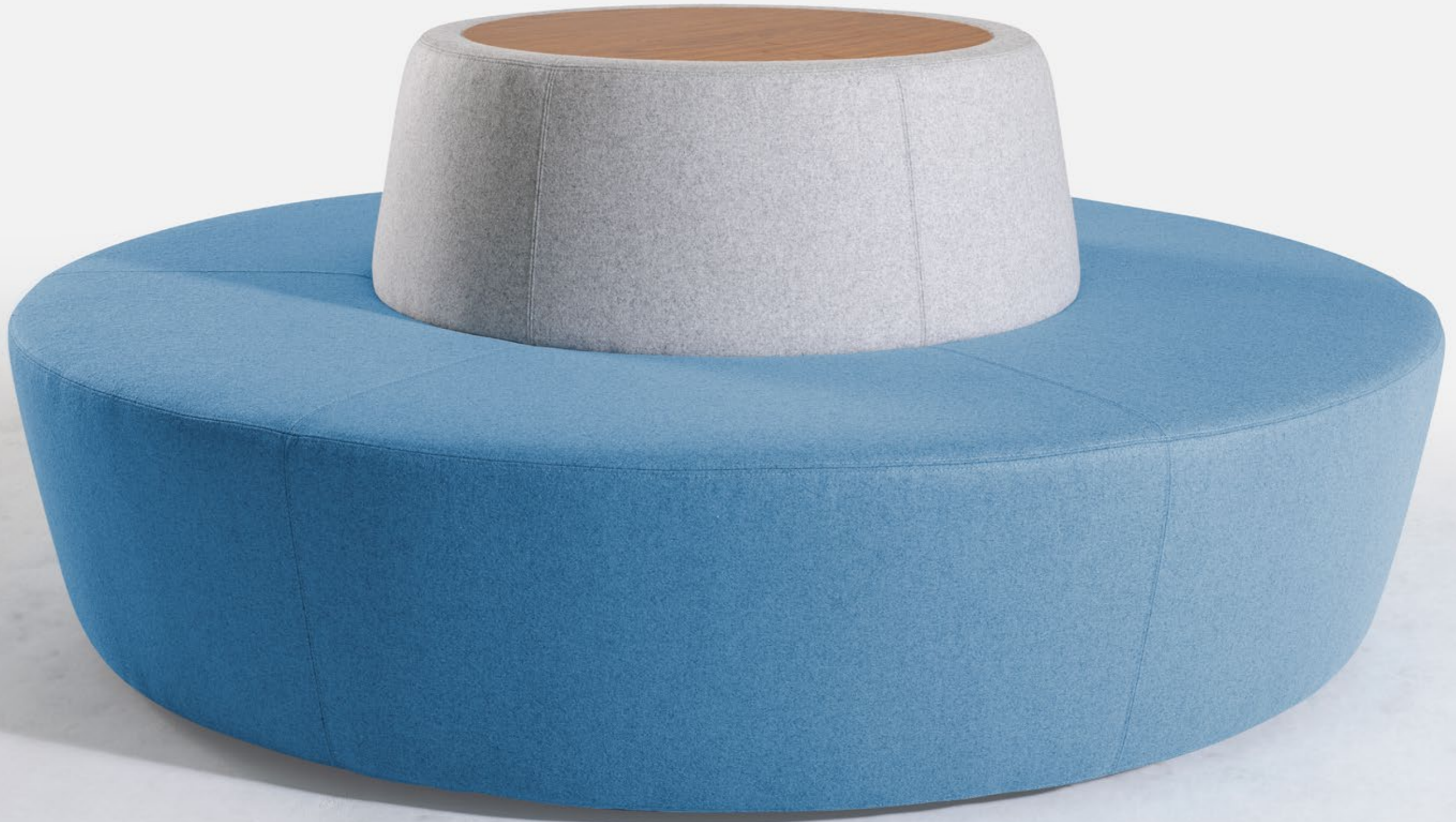


A close-up photograph of the heel of a yellow suede shoe. The shoe has a rounded, conical shape. A vertical seam runs down the center of the heel. At the top, there is a small, rounded rectangular patch. The stitching is visible, showing a double-stitch pattern around the top edge and a single-stitch pattern down the center. The background is a light gray surface.

Pill

Pill is an ottoman with a bold presence and comforting curvaceousness. Complete with power and data integration, Pill's generous proportions are adaptable to ensure it makes a statement no matter where it's placed. Thoughtfully detailed, the Pill collection provides all that is needed for full-spectrum satisfaction.





Pill

Information

Design

Alexander Lotersztain, 2013

Environment

Indoor

Warranty

5 year structural

Certifications

GECA certified

Materials

Upholstered elements constructed using Dunlop Enduro® foam with MDF substrate, upholstered in Customer's Own Material (COM) and/ or Leather (COL). Table inlay constructed from veneered MDF.

Notes

1. Integration of power units into seating modules available.

Finishes

Upholstery



Fabric
COM



Leather
COL

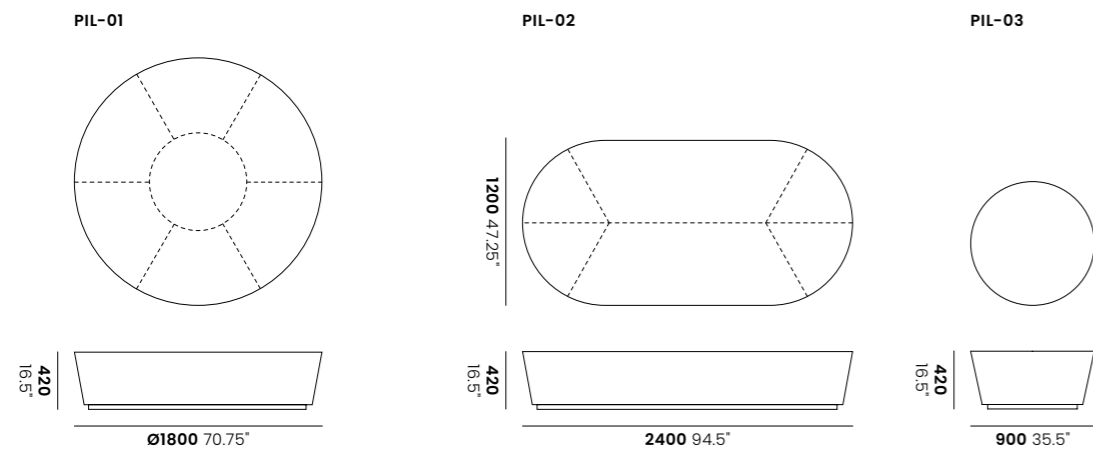
Table Inlay



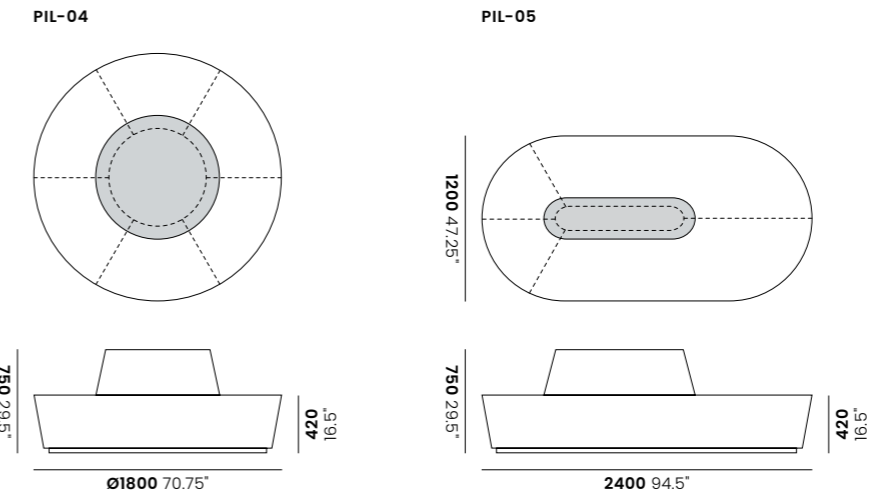
American Oak
Veneer

Dimensions

Ottoman



Seat



Seat with Table Inlay

